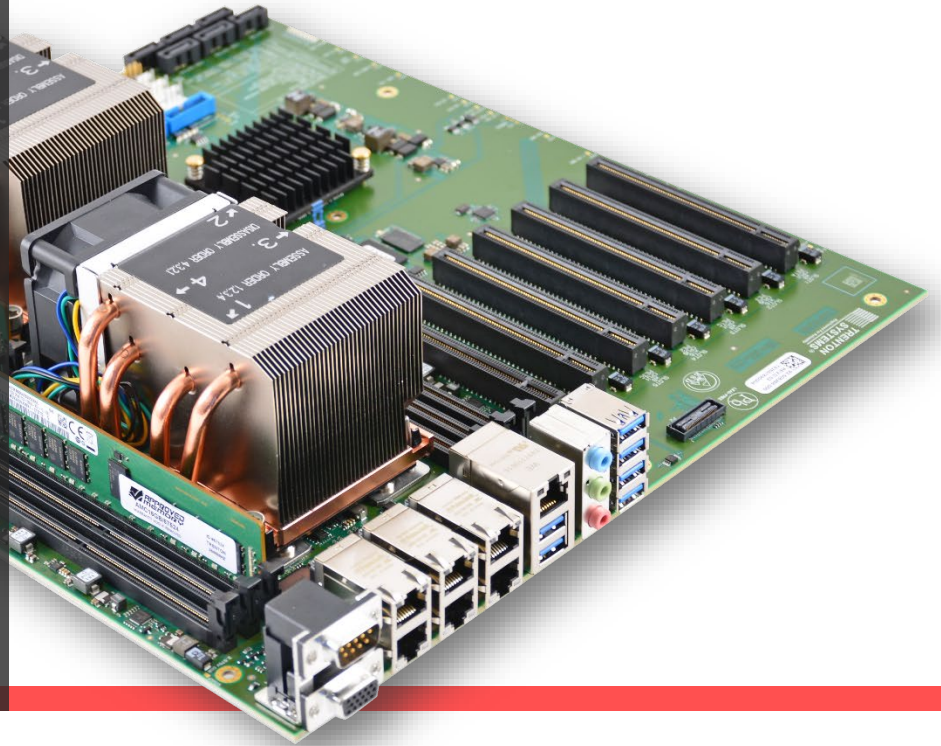




# SSP8268

## Motherboard Servers

RUGGEDIZED | MADE IN USA



## Thrives in **Extreme** Environments

Designed for heavy workloads and mission-critical applications. Load your OS and other time-critical files on lightning-fast NVMe drives directly connected to the CPUs and RAM for high throughput and low latency. Configure with lots of PCIe slots, I/O options, and a rugged chassis.



### Processing **Powerhouse**

2nd Gen Intel® Xeon® SP CPUs with 12x high-frequency RAM slots that deliver higher performance and scalability.



### Max System Expansion

7x PCIe 3.0 slots enable configurations to current and future system requirements while reducing overall system latency.

### Configuration **Versatility**

Lots of storage, I/O options, rugged chassis, and add-ons like our JBOD or PCIe Expansion System to meet your specs.

## Section 1 / System Overview

### PROCESSOR BOARD

SSP8268 | Type: SSI Motherboard

### COMPATIBLE CHASSIS MODEL NUMBER(S)

TRC2010, TRC2019, THS4086, TRS4019, TRC3010

[Contact us for custom options](#)

### PROCESSORS

- ▶ 2<sup>nd</sup> Gen Intel® Xeon® SP CPUs, LGA3647, Socket P
- ▶ CPU TDP support up to 125W

CPU	Cores/Threads	Frequency	Cache	TDP
Gold 6230	20/40	2.10-3.90GHz	27.5MB	125W
Gold 5218	16/32	2.30-3.90GHz	22MB	125W
Silver 4209T	8/16	2.20-3.20GHz	11MB	70W

### MEMORY

**Slots:** 12x DDR4 RDIMM sockets

**Capacity:** Up to 1.5TB DDR4 ECC RDIMM

**Type:** 2400/2666/2933 ECC DDR4 RDIMM

**DIMM Sizes:** 64GB, 32GB, 16GB, 8GB

**Error Detection:** Corrects single-bit errors and detects double-bit errors using ECC memory

### STORAGE

**Type(s):** 6x SATA3 (6 Gbps) ports; 2x HD MiniSAS ports

### PCI SLOT CONFIGURATION

**Type(s):** 7x PCIe 3.0 x16 mechanical slots

- ▶ 3x PCIe 3.0 x16 electrical
- ▶ 4x PCIe 3.0 x8 electrical

### ON-BOARD DEVICES

**Chipset:** Intel® C622

**IPMI:** Support for Intelligent Platform Management Interface v2

- ▶ IPMI 2.0 with virtual media over LAN and KVM-over-LAN support
- ▶ ASPEED AST2500 BMC

### Network Controllers:

- ▶ Intel® i350 Gigabit Ethernet
- ▶ Supports 1000BASE-T, RJ-45 output

**Graphics:** Intel® Integrated Graphics & ASPEED AST2500 BMC

**TPM 2.0:** Secure cryptoprocessor that helps you with actions such as generating, storing, and limiting the use of cryptographic keys

### INPUT / OUTPUT

**USB:** 6x USB 3.0 Ports

**Display:** 1x VGA Port 1920x1200@60Hz 32bpp

**LAN:** 7x RJ-45 Gigabit Ethernet LAN ports

- ▶ 6x RJ-45 Gigabit Ethernet LAN ports
- ▶ 1x RJ-45 Gigabit Ethernet LAN/IPMI shared port

**Serial:** 1x RS232 DB9 Serial Port

### MOTHERBOARD DIMENSIONS

Length: 12.0" | 30.48 cm

Width: 13" | 33.02 cm

*\*System dimensions dependent on rugged chassis selection.*

### FRONT PANEL

- ▶ 3x USB Ports
- ▶ Power Button
- ▶ Audio In/Out
- ▶ Fault and Hard Drive Activity LEDs

*\*Dependent on rugged chassis selection.*

### SYSTEM COOLING

6x PWM Fan Headers; 2x CPU Blower Fans (1 per CPU)

### POWER SUPPLY

Up to 1200W Fixed, Redundant, or Removable

*\*Dependent on rugged chassis selection.*

### SYSTEM BIOS

**BIOS Type:** 128 Mb SPI NOR Flash with Insyde BIOS

### BIOS Features:

- ▶ Plug and Play (PnP)
- ▶ APM 1.2
- ▶ PCI 2.2
- ▶ ACPI 1.0 / 2.0
- ▶ USB Keyboard Support
- ▶ SMBIOS 2.3
- ▶ UEFI

### SYSTEM MANAGEMENT

AST2500 Baseband Management Controller: rKVM, System Monitoring, Out of Band Management

### ENVIRONMENTAL SPECIFICATIONS

Operating Temperature: 0°C - 50°C

Storage Temperature: -40°C - 70°C

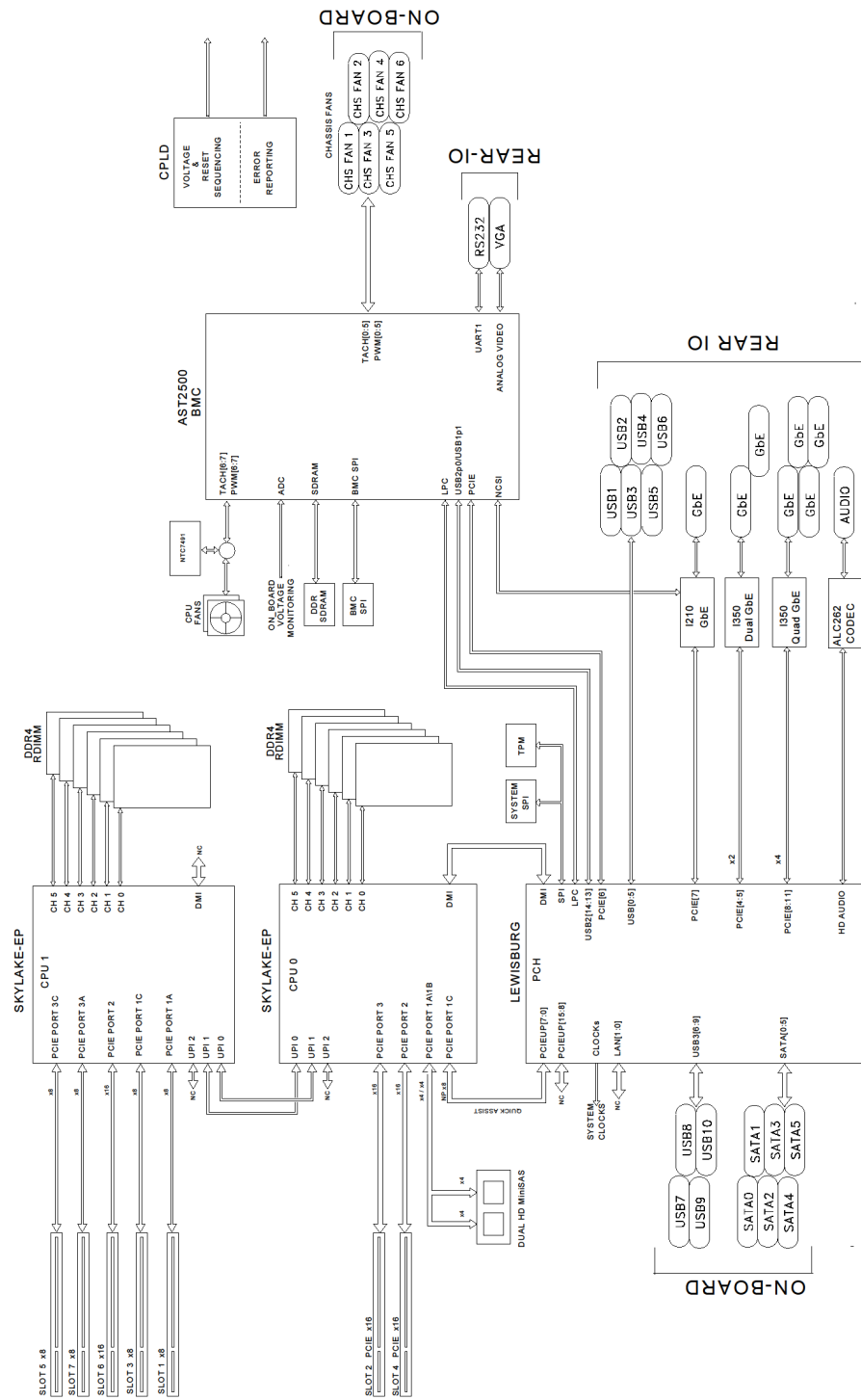
Operating Humidity: 8% - 90% Non-Condensing

Non-operating Humidity: 5% - 95% Non-Condensing

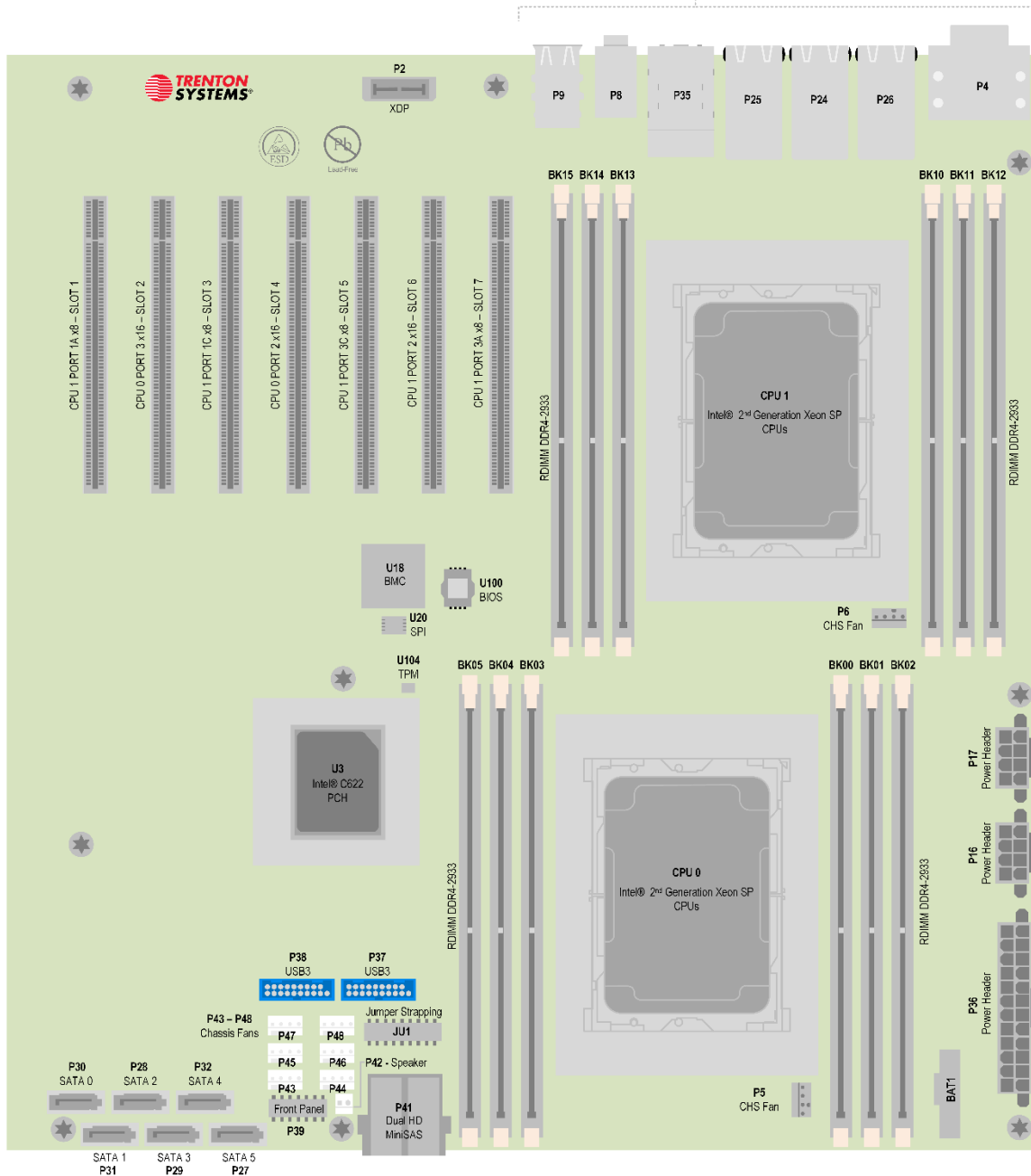
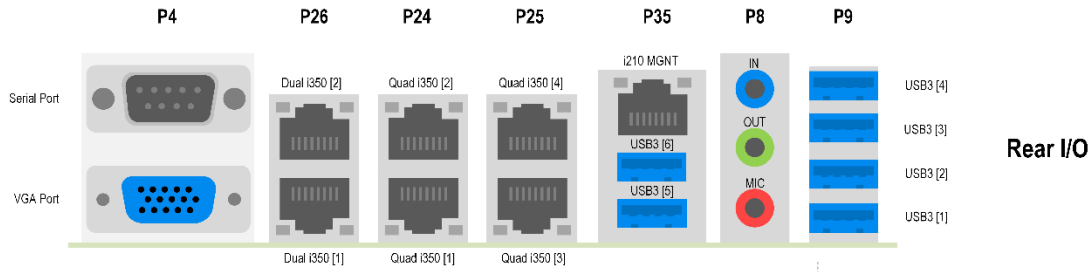
*\*Numbers noted are dependent on CPU selection. Please [contact Trenton Systems](#) for specific CPU environmental specs.*



# BLOCK DIAGRAM



## LAYOUT DRAWING





**Trenton Systems**  
1725 MacLeod Drive  
Lawrenceville, GA 30043

[www.trentonsystems.com](http://www.trentonsystems.com)  
t. 770.287.3100  
e. [info@trentonsystems.com](mailto:info@trentonsystems.com)

